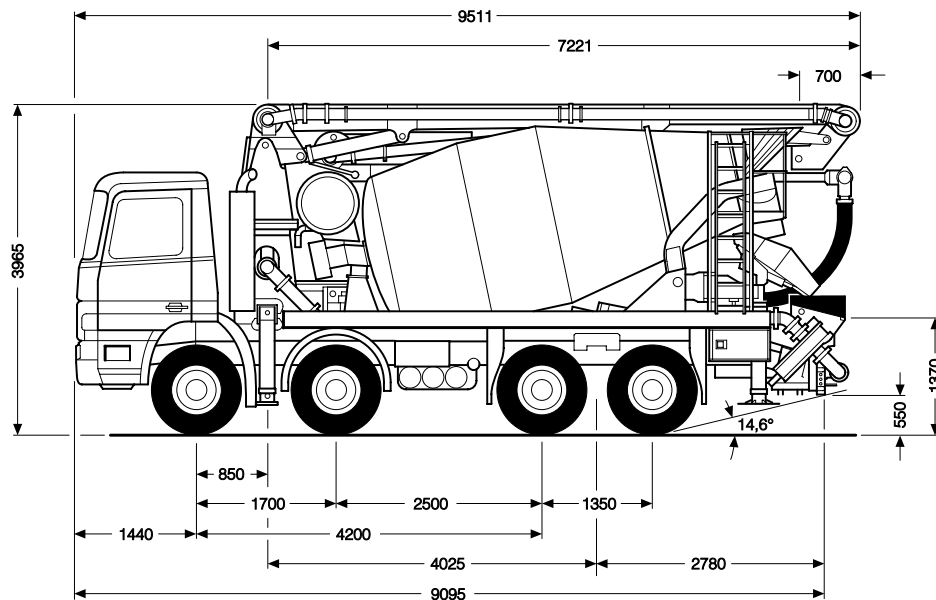


## Truck-Mixer Pump FBP 24



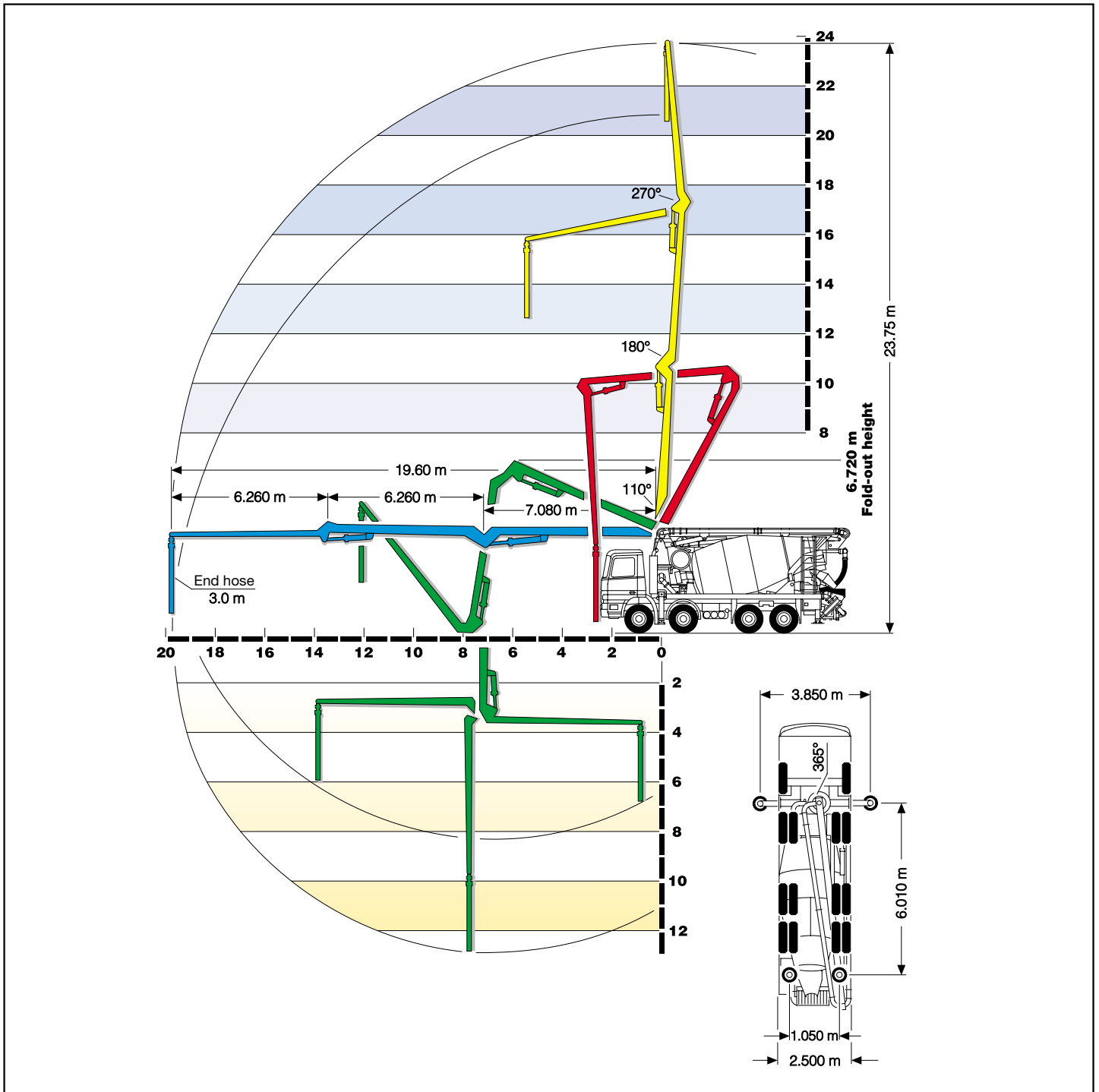
| Concrete pump            | Model             | BP 600 RK            |
|--------------------------|-------------------|----------------------|
| Max. output              | m <sup>3</sup> /h | 62                   |
| Max. conc. pressure      | bar               | 48                   |
| Max. strokes             | 1/min             | 33                   |
| Conc. cylinder (∅ x Hub) | mm                | 200 x 1000           |
| Volume, 2 cylinders      | l                 | 62.8                 |
| Hopper capacity          | l                 | 250                  |
| Truck mixer              | Model             | AM 7 FHC+            |
| Rated capacity           | l                 | 7000                 |
| Overall vehicle          |                   |                      |
| Perm. GVW (in Germany)   | t                 | 32 (on 4-axle-truck) |
| Concrete payload         | m <sup>3</sup>    | 4.5<br>(density 2.4) |

| Placing boom        | Model | KVM 24-125 |
|---------------------|-------|------------|
| Concret pipeline DN | mm    | 125        |
| Vertical reach      | m     | 23.75      |
| Horizontal reach    | m     | 19.60      |
| Articulation points | m     | 6.72       |
| Number of arms      |       | 3          |
| Hoisting angle      |       | 110°       |
| 1st knuckle angle   |       | 180°       |
| 2nd knuckle angle   |       | 270°       |
| Slew range          |       | 365°       |
| End hose            |       | 125 x 3000 |

### Shorter and even better!

- 24 m boom with 125 mm pipeline
- Long-stroke pump cell – low stroke count and minimum wear
- Pump cell in line underneath mixer drum
- SCHWING “Baby-ROCK” – economical, robust, with rebuildable hard facing
- SCHWING fully hydraulic concrete pump control – no need for troublesome sensors, relays or wiring
- Proportional boom controls
- Finger-tip easy radio remote control for boom
- Level sensor in hopper prevents concrete overspill
- Robust outriggers with fully guarded cylinders
- 3 m end hose
- Super 2000 pipeline optional

# Work range FBP 24



# SCHWING

SCHWING GmbH  
 P.O. Box 200362  
 D-44647 Herne/Germany  
 Heerstr. 9-27 · D-44653 Herne  
 ☎ (0) 2325/987-0  
 Fax (0) 2325/72922  
 E-Mail: info@schwing.de  
<http://www.schwing.de>

Subject to modifications in the interest of technical progress. Details of the standard extent of supply are to be drawn from the offer.